

DATE	SEPTEMBER 2003
CHECKED	
LB	
PROJECT NO.	2301-03
DRAWING NO.	
SCALE	1/8"=1'-0"

**ELECTRICAL THIRD AND FOURTH FLOOR PLANS**

**PROPOSED MULTI FAMILY RESIDENTIAL DEVELOPMENT WILSON ST, VICTORIA**

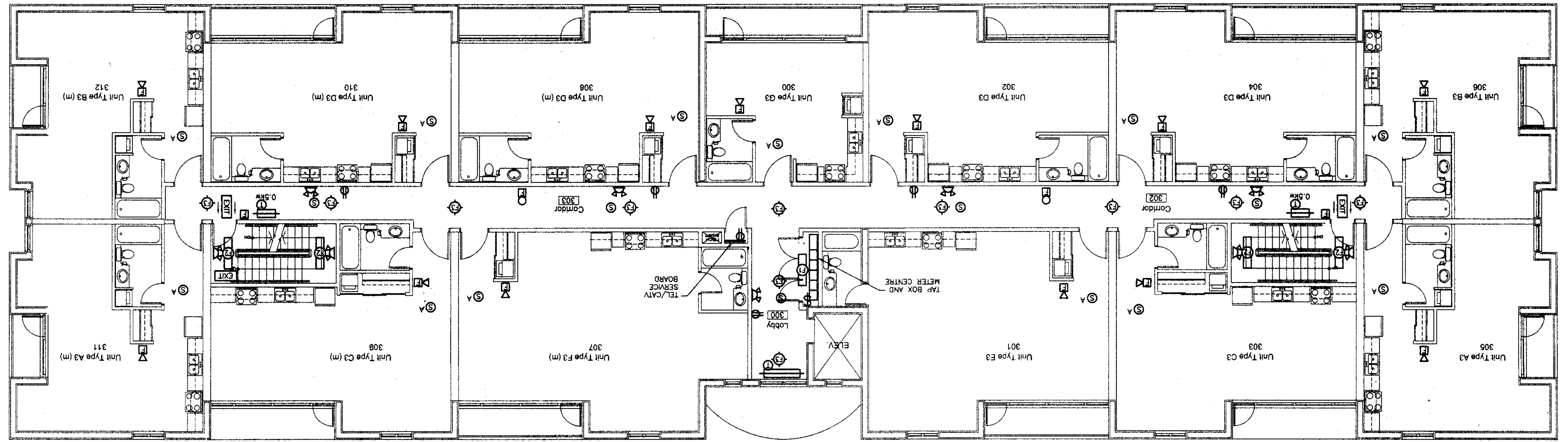
CLIENT

**T.L. ELIOTT & ASSOCIATES LTD.**  
 ELECTRICAL ENGINEERING  
 8004 LANZVILLE RD. LANZVILLE, B.C. V0R 2H0  
 PH. (250) 380-5375 FAX. (250) 380-3738  
 EMAIL: h.e.elliott@nkc.bc.ca

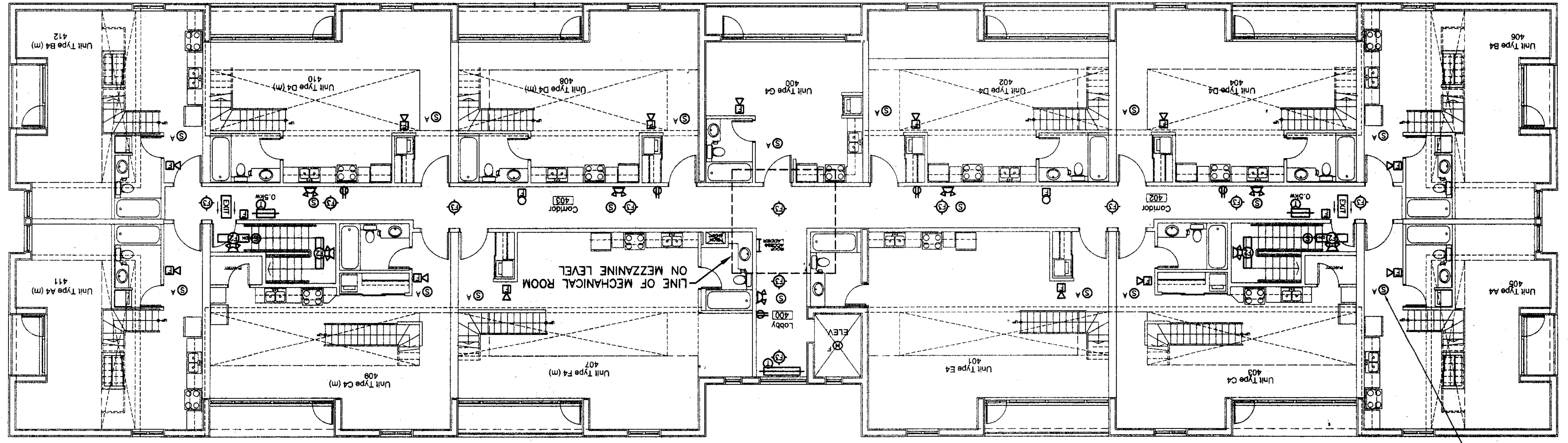
NO.	REVISION	DATE
1	BUILDING PERMIT ISSUE	NOV 10/03

NOTES

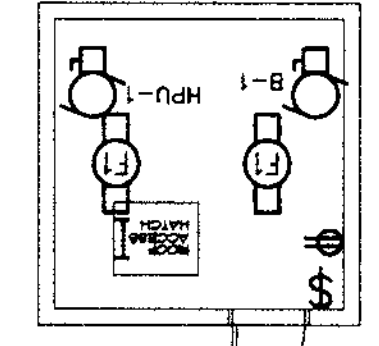
THIRD FLOOR PLAN



FOURTH FLOOR PLAN



MECHANICAL ROOM MEZZANINE



PROVIDE ADDITIONAL SMOKE ALARM ON MEZZANINE LEVEL AND INTERLOCK TWO SMOKE ALARMS (TYPICAL THIS FLOOR)